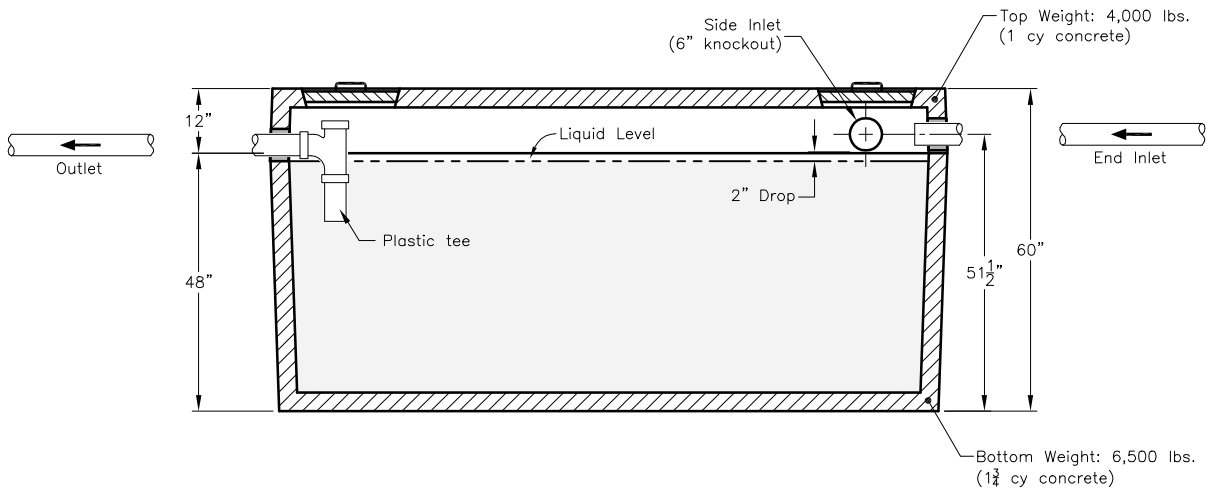
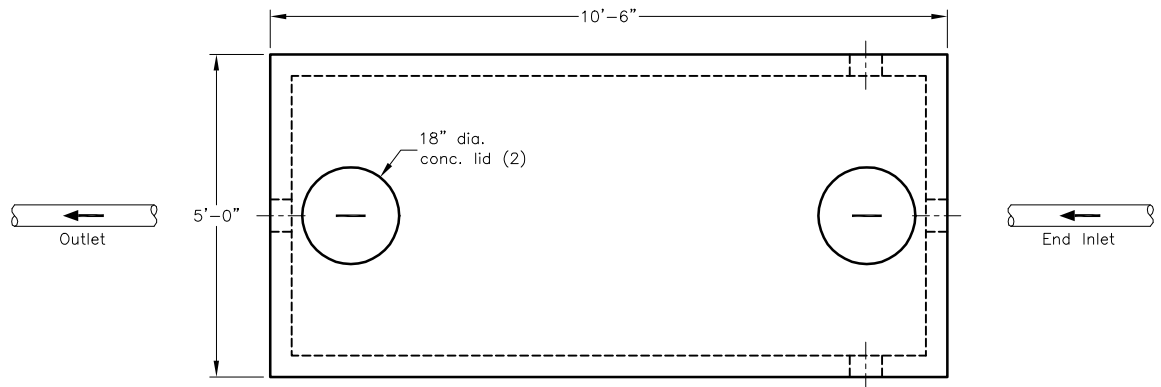




# Precast Septic Tank

3742 West Front Street - Traverse City, MI 49684-8152 - 231-946-7880 - www.theconcreteservice.com



**Notes:**

1. Typical wall thickness is 3.5"
2. Unless otherwise noted, end inlet & outlet are fitted with polylock accepting pipes up to 6" dia.
3. Concrete access lid(s) shown are included
4. Plastic tees shown are included
5. Dimensions shown are approximate only
6. Tank may have internal support ribs or similar structures not shown above

## #1250s-51 1/2

Outside Dim.	60W x 126L x 60H
Total Weight	10,500 lbs
Capacity	1,250 ga.