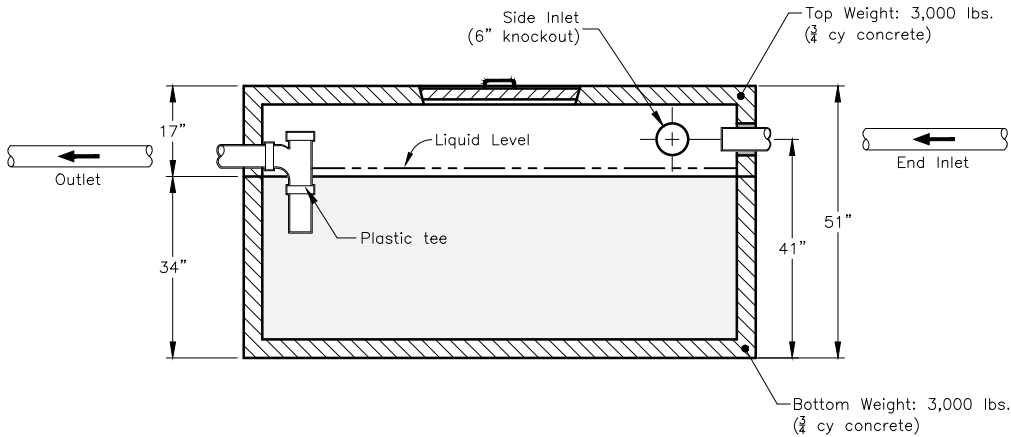
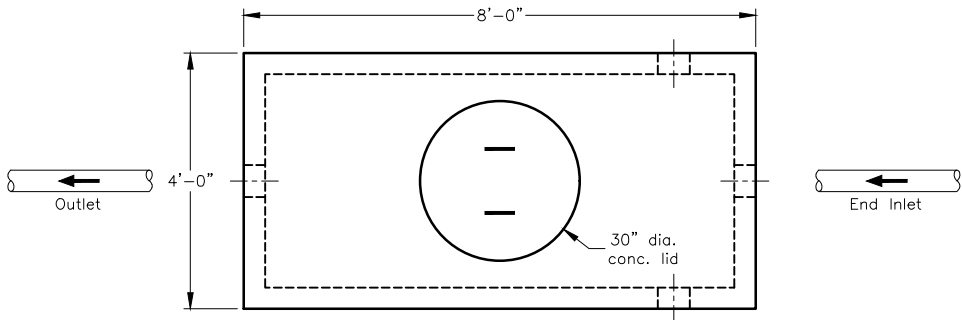




Pump Chamber

3742 West Front Street - Traverse City, MI 49684-8152 - 231-946-7880 - www.theconcreteservice.com



Notes:

1. Typical wall thickness is 3.5"
2. End inlet is fitted with polylock accepting pipes up to 6" dia.
3. Concrete access lid(s) shown are included
4. Dimensions shown are approximate only
5. Tank may have internal support ribs or similar structures not shown above

#500pc-2

Outside Dim.	48W x 96L x 51H
Total Weight	6,000 lbs
Capacity	500 ga.