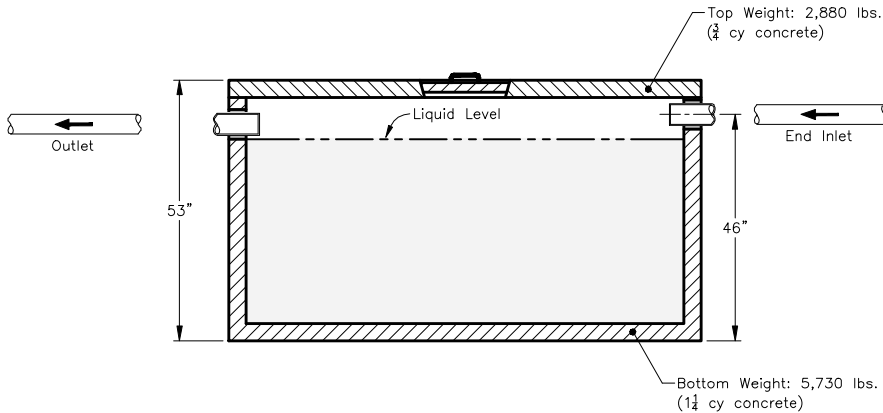
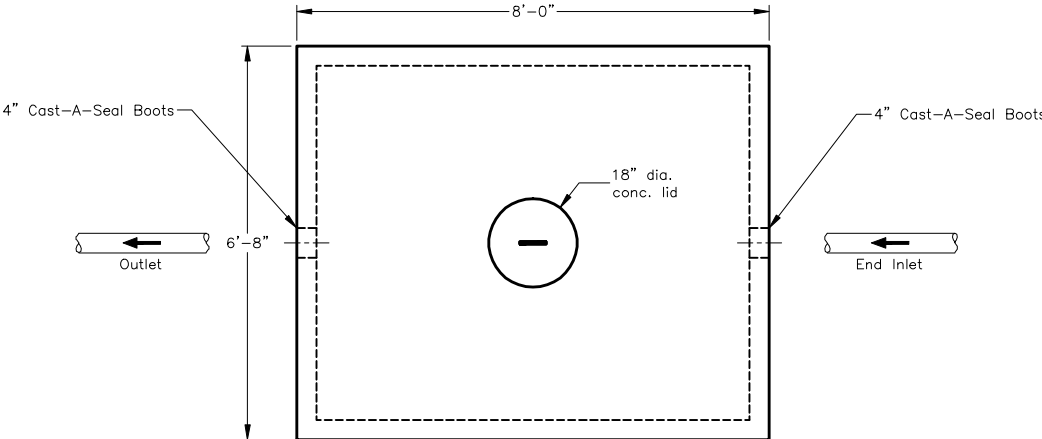




# Monolithic Holding Tank

3742 West Front Street - Traverse City, MI 49684-8152 - 231-946-7880 - www.theconcreteservice.com



**Notes:**

1. Typical wall thickness is 3.5"
2. End inlet is fitted with polylock accepting pipes up to 6" dia.
3. Concrete access lid(s) shown are included
4. Dimensions shown are approximate only
5. Tank may have internal support ribs or similar structures not shown above

## #1200MHT

Outside Dim.	78W x 96L x 53H
Total Weight	8,610 lbs
Capacity	1,200 ga.