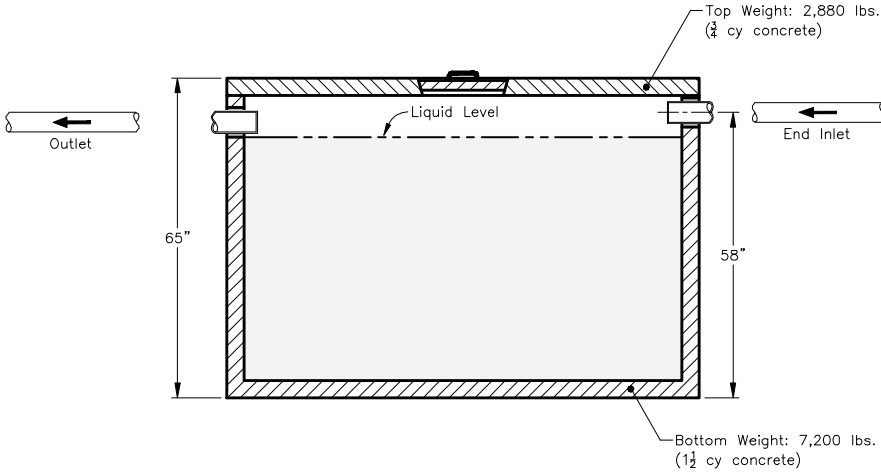
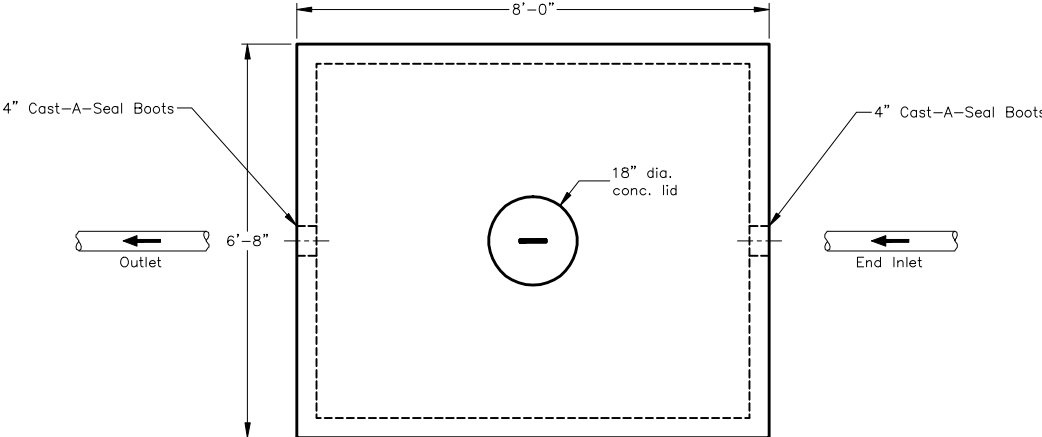




Monolithic Holding Tank

3742 West Front Street - Traverse City, MI 49684-8152 - 231-946-7880 - www.theconcreteservice.com



Notes:

- 1. Typical wall thickness is 3.5"
- 2. End inlet is fitted with polylock accepting pipes up to 6" dia.
- 3. Concrete access lid(s) shown are included
- 4. Dimensions shown are approximate only
- 5. Tank may have internal support ribs or similar structures not shown above

#1500MHT

Outside Dim.	78W x 96L x 65H
Total Weight	10,080 lbs
Capacity	1,500 ga.