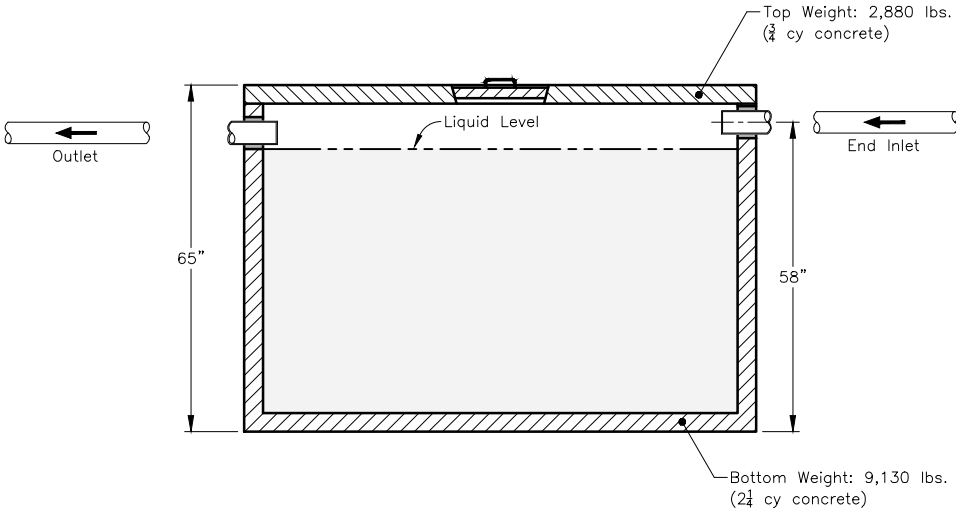
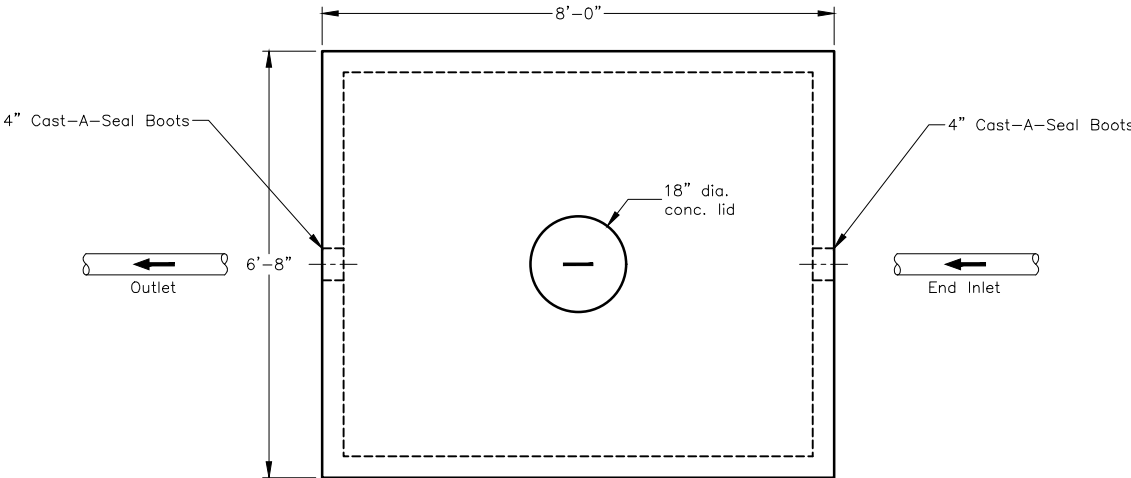




# Monolithic Holding Tank

3742 West Front Street - Traverse City, MI 49684-8152 - 231-946-7880 - www.theconcreteservice.com



Notes:

1. Typical wall thickness is 3.5"
2. End inlet is fitted with polylock accepting pipes up to 6" dia.
3. Concrete access lid(s) shown are included
4. Dimensions shown are approximate only
5. Tank may have internal support ribs or similar structures not shown above

## #1500MHT

Outside Dim.	78W x 96L x 65H
Total Weight	12,010 lbs
Capacity	1,500 ga.